

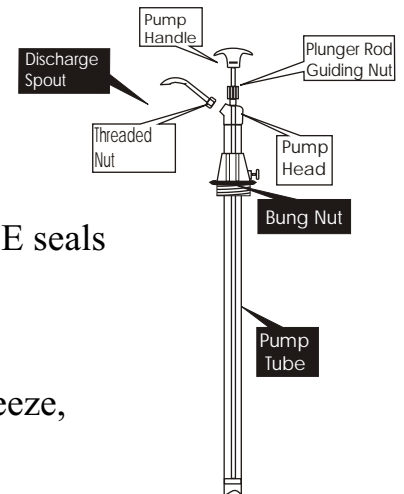
# SERVICE INSTRUCTIONS FOR 365 NYLON PUMP

## Piece Count:

1. Pump Tube Assembly
2. Bung Nut with 2" threads
3. Discharge Spout assembly (curved spout with nut)

## Features:

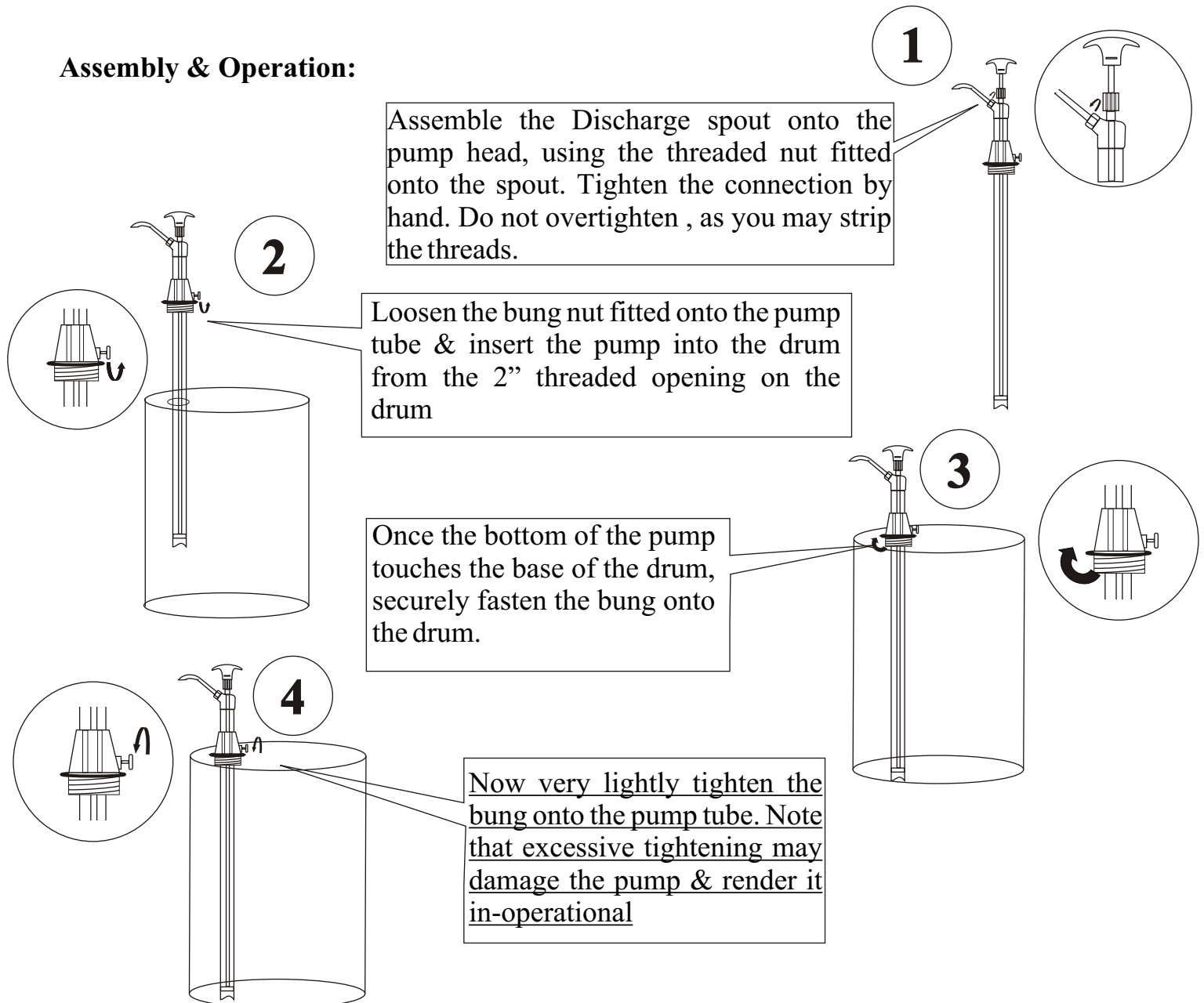
Nylon Pump construction with stainless steel plunger rod & PTFE seals  
Low fatigue operation  
Fits 15 to 55 gallon (50-205 liter) drums  
Dispenses 400 ml (14 oz.) Per stroke  
Designed for use with Lacquer Thinners, Acetone, MEK, Antifreeze, Detergents & Windshield Fluids.

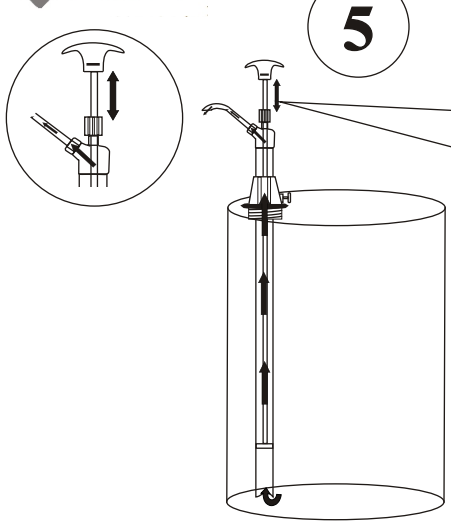


## Wetted components:

Nylon, stainless Steel, Polypropylene, & PTFE

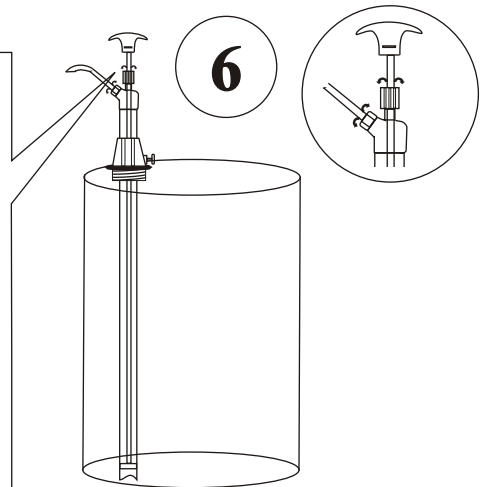
## Assembly & Operation:





**5** Take an empty container & place it below the discharge spout. Start operating the pump handle by moving it up by about 12" & then down. Within a maximum of 4 strokes, pump will be primed & will start dispensing media. Amount of fluid discharge per stroke can be controlled by the lift of the pump handle. The higher the lift, the greater the discharge per stroke. Never take the pump handle to its extreme top position, but operate within a convenient lift height.

There maybe some leakage of media from the plunger rod guiding nut. The nut is factory tightened for test media. Depending upon the viscosity of media used, the nut should be loosened or tightened to control any flow of media from this connection. Also, you may need to slightly adjust the Threaded Nut, if there is any leakage from this connection.



Due to the nature of aggressive media with which this pump maybe used, it is designed to drain out all the fluid from the pump body, when not in use. Pump needs to be re-primed each time it is used & this generally takes only 2-3 strokes

**Recommended for use with:**

Lacquer Thinner

Acetone

MEK

Antifreeze

Detergent

Water

Weed Killer

Windshield Fluid

Mild Acids

Glycerin

Diesel

Kerosene

Petroleum based media

Alcohols such as Amyl Alcohol, Benzyl Alcohol, Butyl Alcohol, Ethyl Alcohol, Hexyl Alcohol, Isobutyl Alcohol, Isopropyl Alcohol, Methyl Alcohol, Octyl Alcohol, Propyl Alcohol etc.

**Do Not Use with:**

Strong Acids, Bleach, Gasoline etc. Lyn Distributing 1-801-295-5022